

# KERRIA PLUS

## Shower wall / walk-in, Kerria Plus system

**Product code:** KTS\_037P

**EAN:** 5907650810476

**Color:** chrome

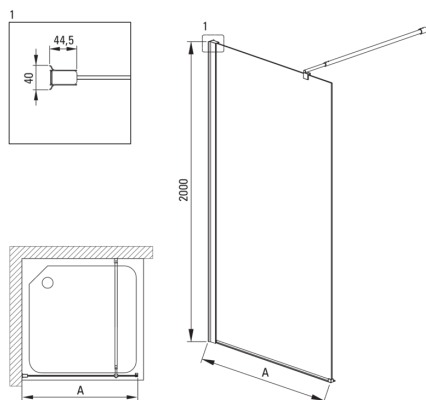
**Warranty [years]:** 2

### Showe cabin

Width [mm]	700
Height [mm]	2000
Glass thickness [mm]	6
Glass finish	transparent
Active cover	Yes

### Features:

- Only the best materials, the quality of which has been confirmed by laboratory tests
- Possibility to install the cabin without a shower tray, directly on the tiles
- Hydrophobic Active-Cover coating that makes it easier for water to run off the glass
- Covering of assembly elements
- Modern handles with glass protection
- TOTALWHITE transparent glass
- Profiles leveling the curvature of the walls
- The railings give the structure rigidity
- Dedicated cleaning agent, safe for cleaned surfaces
- Dedicated to Active Cover surfaces
- Safe and durable tempered glass
- Resistance to impacts, chemicals and stains in accordance with PN-EN 14428+A1:2008 norm, confirmed by tests of the Institute of Ceramics and Building Materials



Model	Size [mm]	A [mm]
KTS_X83P	300x2000	250-270
KTS_X84P	400x2000	350-370
KTS_X85P	500x2000	450-470
KTS_X86P	600x2000	550-570
KTS_X37P	700x2000	650-670
KTS_X38P	800x2000	750-770
KTS_X39P	900x2000	850-870
KTS_X30P	1000x2000	950-970
KTS_X31P	1100x2000	1050-1070
KTS_X32P	1200x2000	1150-1170
KTS_X34P	1400x2000	1350-1370