

PRIME

Granite-steel sink, 1-bowl with drainer

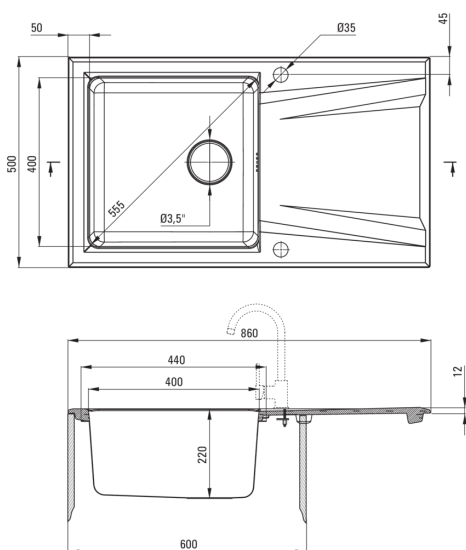
 deante

Product code: ZSR_S113

EAN: 5908212058039

Color: metallic grey

Warranty [years]: 2



Sink

Finish	metallic grey
Surface type	matte
Material	granite, steel 304
Installation method	inset
Number of bowls	1
Minimum cabinet width [mm]	600
Width [mm]	500
Length [mm]	860
Height [mm]	220
Bowl depth [mm]	220
Cut-out length [mm]	840
Cut-out width [mm]	480
Reversible	Yes
Equipped with accessories	Yes
Number of holes	2
Number of pre-drilled holes	0

Sink waste kit

Finish	steel
Plug type	automatic
Low siphon/ space saver	Yes
Telescopic siphon	Yes
Possibility to connect a dishwasher/ washing machine	Yes

Features:

- Properties of Deante granite: resistance to impact, high temperature, discoloration, thermal shock
- High-strength stainless steel
- The sink is equipped with fittings with a connection to the dishwasher
- Accessories with automatic shut-off of the drain
- Natural antiseptic properties of steel
- The finish enriched with silver ions adds antiseptic properties
- An innovative combination of granite and steel
- Space-saving siphon which facilitates e.g. sorting waste
- The exceptionally spacious and deep bowl will even accommodate trays taken out of the oven
- Dedicated cleaning agent, safe for cleaned surfaces
- Hydrophobic properties repel water molecules
- Reversible steel sink - install with the bowl on the left or right side