

# MAGNETIC

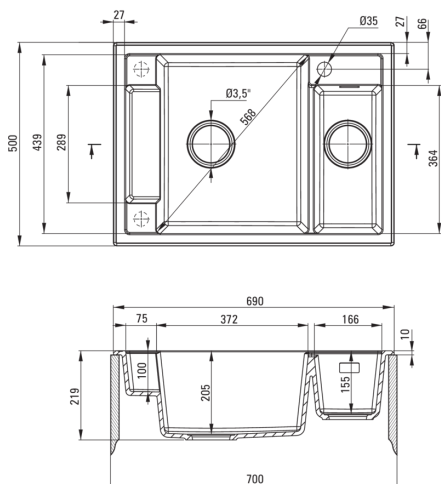
## Magnetic granite sink, 1.5-bowl

Product code: ZRM\_G503

EAN: 5908212094990

Color: metallic graphite

Warranty [years]: 18



### Sink

Finish	metallic graphite
Surface type	matte
Material	granite
Installation method	inset
Minimum cabinet width [mm]	700
Width [mm]	500
Length [mm]	690
Height [mm]	219
Bowl depth [mm]	205
2nd bowl depth [mm]	155
Cut-out length [mm]	670
Cut-out width [mm]	480
Equipped with accessories	Yes
Number of holes	1
Number of pre-drilled holes	2

### Sink waste kit

Finish	nero
Plug type	automatic, with a button
Low siphon/ space saver	Yes
Possibility to connect a dishwasher/ washing machine	Yes

### Features:

- Properties of Deante granite: resistance to impact, high temperature, discoloration, thermal shock
- The sink is equipped with fittings with a connection to the dishwasher
- Hydrophobic properties repel water molecules
- The exceptionally spacious and deep bowl will even accommodate trays taken out of the oven
- Additional multi-functional small compartment - e.g. for rinsing vegetables and fruits or connecting a grinder
- Additional milled holes for mounting a dispenser or other accessories
- Magnets embedded in the mass of the sink
- A steel mask is included
- Possibility to buy accessories that perfectly match this model
- Dedicated cleaning agent, safe for cleaned surfaces
- Space-saving siphon which facilitates e.g. sorting waste
- Longest, 18 years warranty
- The finish enriched with silver ions adds antiseptic properties
- Possibility to buy a cloth rail that fits perfectly with this model
- Possibility to buy a sponge hook that fits perfectly with this model.
- Strainer uniformly dyed in mass
- Automatic plug activated with a CLICK button