

MAGNETIC

Magnetic granite sink, 1-bowl with drainer

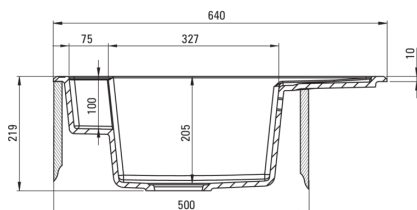
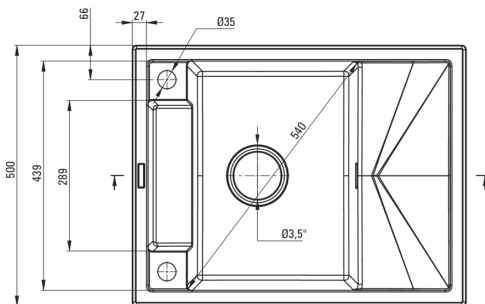


Product code: ZRM_A11A

EAN: 5907650874881

Color: alabaster

Warranty [years]: 18



Sink

Finish	alabaster
Surface type	matte
Material	granite
Installation method	inset
Number of bowls	1
Minimum cabinet width [mm]	500
Width [mm]	500
Length [mm]	640
Height [mm]	219
Bowl depth [mm]	205
Cut-out length [mm]	620
Cut-out width [mm]	480
Reversible	Yes
Equipped with accessories	Yes
Number of holes	2

Sink waste kit

Finish	steel
Plug type	automatic, with a button
Low siphon/ space saver	Yes
Possibility to connect a dishwasher/ washing machine	Yes

Features:

- Properties of Deante granite: resistance to impact, high temperature, discoloration, thermal shock
- The sink is equipped with fittings with a connection to the dishwasher
- Hydrophobic properties repel water molecules
- Reversible sink - possibility to install the bowl on the left or the right side
- Magnets embedded in the mass of the sink
- A steel mask is included
- Possibility to buy accessories that perfectly match this model
- Dedicated cleaning agent, safe for cleaned surfaces
- Space-saving siphon which facilitates e.g. sorting waste
- Longest, 18 years warranty
- Possibility to buy a cloth rail that fits perfectly with this model
- Possibility to buy a sponge hook that fits perfectly with this model.
- The finish enriched with silver ions adds antiseptic properties
- Automatic plug activated with a CLICK button