

ZORBA

Granite sink with tap, 1.5-bowl with drainer

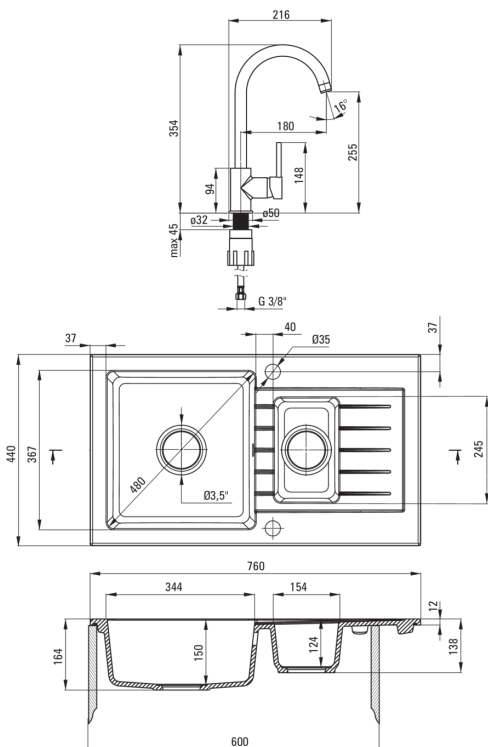
deante

Product code: ZQZA7513

EAN: 5908212058787

Color: sand

Warranty [years]: 18



Sink

Finish	sand
Surface type	matte
Material	granite
Installation method	inset
Minimum cabinet width [mm]	600
Width [mm]	440
Length [mm]	760
Height [mm]	164
Bowl depth [mm]	150
2nd bowl depth [mm]	124
Cut-out length [mm]	740
Cut-out width [mm]	420
Reversible	Yes
Equipped with accessories	Yes
Number of holes	2
Number of pre-drilled holes	0
Hydrophobicity	Yes

Sink waste kit

Finish	steel
Plug type	automatic
Low siphon/ space saver	Yes
Possibility to connect a dishwasher/ washing machine	Yes

Mixer

Finish	sand
Mixer type	single-handle, mixer
Installation method	standing
Flow class [l/min]	Z - 4-9 l/min
Acoustic group [db]	I (x ≤ 20)

Mixer cartridge

Ceramic cartridge size	35 mm
------------------------	-------

Spout

Spout type	swivel
Mixer spout range [mm]	180

Aerator

Aerator type	honeycomb
Aerator size	M22

Connecting hose

Length [mm]	450
Installation thread	3/8"
Connection thread	M10