

ERIDAN

Granite sink, 1-bowl with drainer

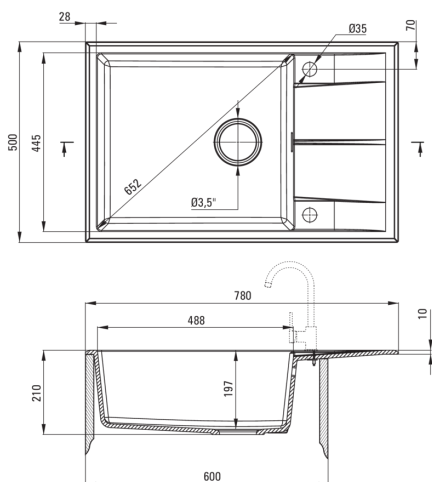
 deante

Product code: ZQE_A11B

EAN: 5907650874249

Color: alabaster

Warranty [years]: 18



Sink

Finish	alabaster
Surface type	matte
Material	granite
Installation method	inset
Number of bowls	1
Minimum cabinet width [mm]	600
Width [mm]	500
Length [mm]	780
Height [mm]	210
Bowl depth [mm]	197
Cut-out length [mm]	760
Cut-out width [mm]	480
Reversible	Yes
Equipped with accessories	Yes
Number of holes	2
Number of pre-drilled holes	0

Sink waste kit

Finish	steel
Plug type	automatic, with a button
Low siphon/ space saver	Yes
Possibility to connect a dishwasher/ washing machine	Yes

Features:

- Properties of Deante granite: resistance to impact, high temperature, discoloration, thermal shock
- Longest, 18 years warranty
- The sink is equipped with fittings with a connection to the dishwasher
- Hydrophobic properties repel water molecules
- The exceptionally spacious and deep bowl will even accommodate trays taken out of the oven
- Possibility to buy a sponge hook that fits perfectly with this model.
- Possibility to buy a cloth rail that fits perfectly with this model
- Reversible sink - possibility to install the bowl on the left or the right side
- Dedicated cleaning agent, safe for cleaned surfaces
- Space-saving siphon which facilitates e.g. sorting waste
- The finish enriched with silver ions adds antiseptic properties
- Automatic plug activated with a CLICK button