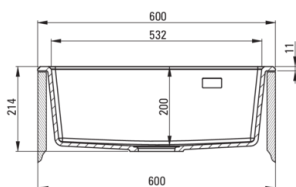
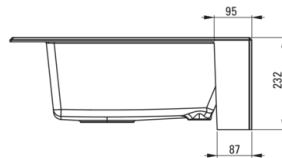
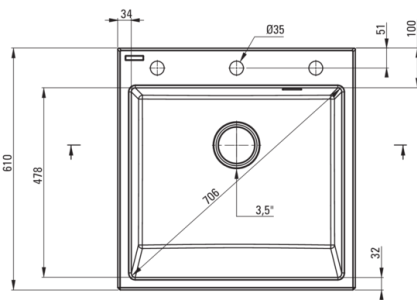


# ERIDAN

## Granite sink, 1-bowl

**Product code:** ZQE\_A10K  
**EAN:** 5907650811374  
**Color:** alabaster  
**Warranty [years]:** 18



### Sink

Finish	alabaster
Surface type	matte
Material	granite
Installation method	farmhouse
Number of bowls	1
Minimum cabinet width [mm]	600
Width [mm]	610
Length [mm]	600
Height [mm]	214
Bowl depth [mm]	200
Equipped with accessories	Yes
Number of holes	1
Number of pre-drilled holes	2

### Sink waste kit

Finish	steel
Plug type	automatic, with a button
Low siphon/ space saver	Yes
Possibility to connect a dishwasher/ washing machine	Yes

### Features:

- Properties of Deante granite: resistance to impact, high temperature, discoloration, thermal shock
- Longest, 18 years warranty
- The sink is equipped with fittings with a connection to the dishwasher
- Hydrophobic properties repel water molecules
- The exceptionally spacious and deep bowl will even accommodate trays taken out of the oven
- Additional milled holes for mounting a dispenser or other accessories
- Dedicated cleaning agent, safe for cleaned surfaces
- Space-saving siphon which facilitates e.g. sorting waste
- ATTENTION! A special method of assembly - modular, standing. Details in the manual. Prepare a hole above the cupboard according to the dimensions of the sink. Perfect for a 60 cm cupboard.
- The finish enriched with silver ions adds antiseptic properties
- Automatic plug activated with a CLICK button