

EGERIA

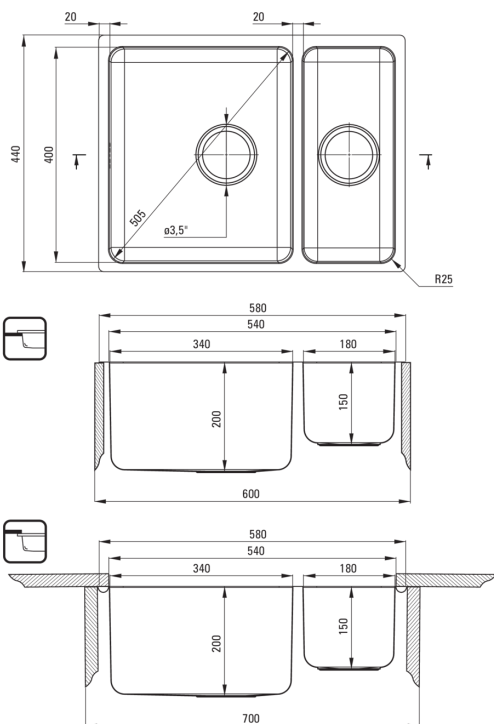
Steel sink, 1.5-bowl

Product code: ZPE_050C

EAN: 5908212048436

Color: brushed steel

Warranty [years]: 2



Sink

Finish	steel
Surface type	brushed
Material	steel 304
Installation method	inset, under mounted
Minimum cabinet width [mm]	600
Width [mm]	440
Length [mm]	580
Height [mm]	200
Bowl depth [mm]	200
2nd bowl depth [mm]	150
Cut-out length [mm]	560
Cut-out width [mm]	420
Cut-out length [mm]	540
Cut-out width [mm]	400
Steel thickness [mm]	1
Equipped with accessories	Yes
Additional features	drain cover included

Sink waste kit

Finish	steel
Plug type	automatic
Low siphon/ space saver	Yes
Telescopic siphon	Yes
Possibility to connect a dishwasher/ washing machine	Yes

Features:

- Drain cover
- High-strength stainless steel
- The sink is equipped with fittings with a connection to the dishwasher
- Natural antiseptic properties of steel
- Additional multi-functional small compartment - e.g. for rinsing vegetables and fruits or connecting a grinder
- Dedicated cleaning agent, safe for cleaned surfaces
- Space-saving siphon which facilitates e.g. sorting waste
- Accessories with automatic shut-off of the drain