

MOMI

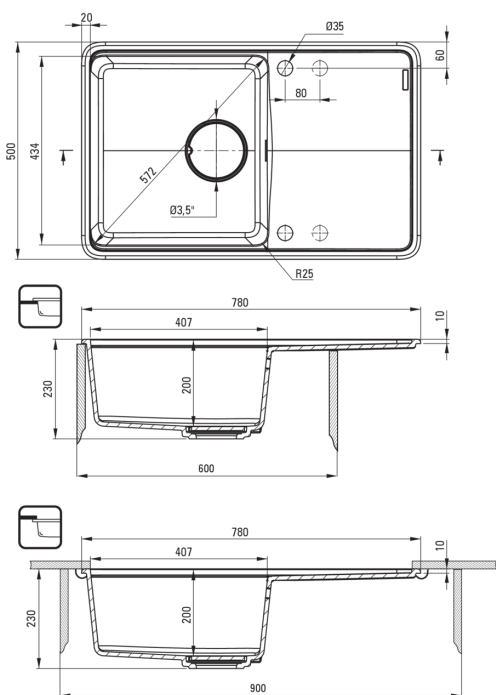
Granite sink, 1-bowl with drainer

Product code: ZKM_T113

EAN: 5907650831068

Color: anthracite metallic

Warranty [years]: 18



Sink

Finish	anthracite metallic
Surface type	matte
Material	granite
Installation method	inset, under mounted
Number of bowls	1
Minimum cabinet width [mm]	600
Width [mm]	500
Length [mm]	780
Height [mm]	230
Bowl depth [mm]	200
Cut-out length [mm]	760
Cut-out width [mm]	480
Cut-out length [mm]	740
Cut-out width [mm]	460
Reversible	Yes
Equipped with accessories	Yes
Number of holes	2
Number of pre-drilled holes	2
Additional features	cutting board included, drain cover included

Sink waste kit

Finish	steel
Plug type	automatic, with a button
Low siphon/ space saver	Yes
Possibility to connect a dishwasher/ washing machine	Yes

Features:

- Harmonious design
- Deep bowl
- Under-mounting possible
- Granite drain cover
- Automatic CLICK plug
- Chopping board included
- Properties of Deante granite: resistance to impact, high temperature, discoloration, thermal shock
- Hydrophobic properties repel water molecules
- Space-saving siphon which facilitates e.g. sorting waste
- Dedicated cleaning agent, safe for cleaned surfaces
- The finish enriched with silver ions adds antiseptic properties