

# MOMI

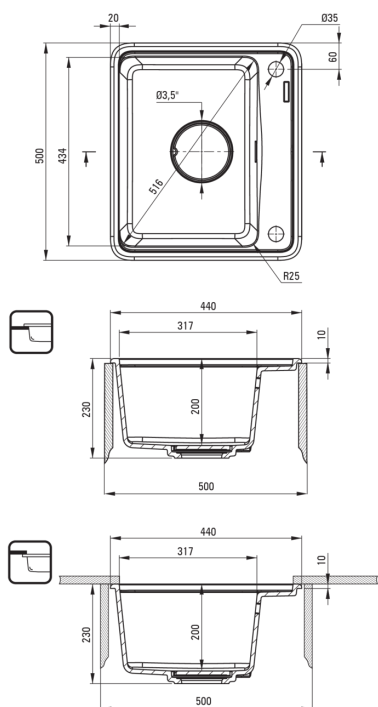
## Granite sink, 1-bowl

**Product code:** ZKM\_T103

**EAN:** 5907650831112

**Color:** anthracite metallic

**Warranty [years]:** 18



### Sink

Finish	metallic grey
Surface type	matte
Material	granite
Installation method	inset, under mounted
Number of bowls	1
Minimum cabinet width [mm]	500
Width [mm]	440
Length [mm]	500
Height [mm]	230
Bowl depth [mm]	200
Cut-out length [mm]	480
Cut-out width [mm]	420
Cut-out length [mm]	460
Cut-out width [mm]	400
Reversible	Yes
Equipped with accessories	Yes
Number of holes	2
Number of pre-drilled holes	0
Additional features	cutting board included, drain cover included

### Sink waste kit

Finish	steel
Plug type	automatic, with a button
Low siphon/ space saver	Yes
Possibility to connect a dishwasher/ washing machine	Yes

### Features:

- Harmonious design
- Deep bowl
- Under-mounting possible
- Granite drain cover
- Automatic CLICK plug
- Chopping board included
- Properties of Deante granite: resistance to impact, high temperature, discoloration, thermal shock
- Hydrophobic properties repel water molecules
- Space-saving siphon which facilitates e.g. sorting waste
- Dedicated cleaning agent, safe for cleaned surfaces
- The finish enriched with silver ions adds antiseptic properties