

# MOMI

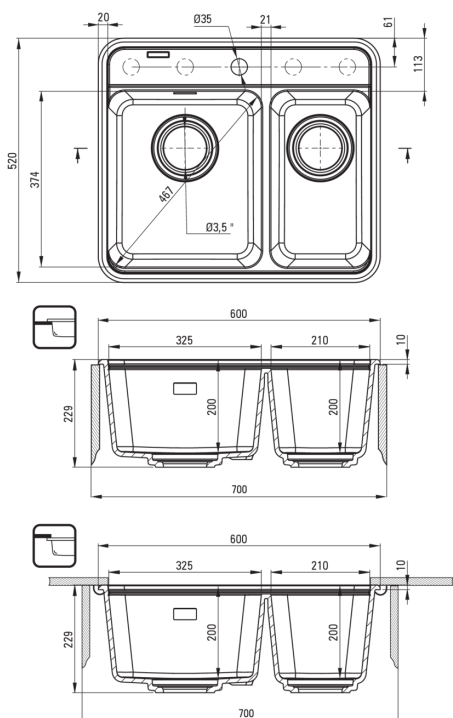
## Granite sink, 1.5-bowl

**Product code:** ZKM\_S503

**EAN:** 5907650871767

**Color:** metallic grey

**Warranty [years]:** 18



### Sink

|                             |                      |
|-----------------------------|----------------------|
| Finish                      | metallic grey        |
| Surface type                | matte                |
| Material                    | granite              |
| Installation method         | inset, under mounted |
| Minimum cabinet width [mm]  | 700                  |
| Width [mm]                  | 520                  |
| Length [mm]                 | 600                  |
| Height [mm]                 | 229                  |
| Bowl depth [mm]             | 200                  |
| 2nd bowl depth [mm]         | 200                  |
| Cut-out length [mm]         | 580                  |
| Cut-out width [mm]          | 500                  |
| Reversible                  | Yes                  |
| Equipped with accessories   | Yes                  |
| Number of holes             | 1                    |
| Number of pre-drilled holes | 4                    |
| Additional features         | drain cover included |

### Sink waste kit

|  |                          |
|--|--------------------------|
| Finish   | steel                    |
| Plug type  | automatic, with a button |
| Low siphon/ space saver                              | Yes                      |
| Possibility to connect a dishwasher/ washing machine | Yes                      |

### Features:

- Harmonious design
- Deep bowl
- Chopping board included
- Under-mounting possible
- Granite drain cover
- Automatic CLICK plug
- Properties of Deante granite: resistance to impact, high temperature, discoloration, thermal shock
- Hydrophobic properties repel water molecules
- Space-saving siphon which facilitates e.g. sorting waste
- Strainer uniformly dyed in mass
- The finish enriched with silver ions adds antiseptic properties
- Only the best materials, the quality of which has been confirmed by laboratory tests
- Dedicated cleaning agent, safe for cleaned surfaces