

MOMI

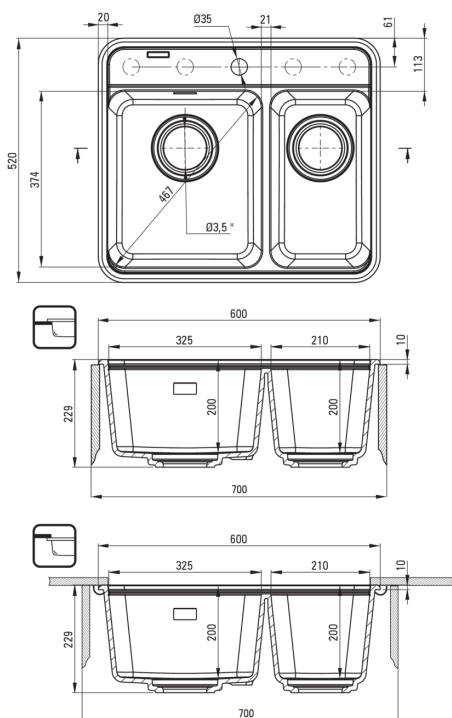
Granite sink, 1.5-bowl

Product code: ZKM_A503

EAN: 5907650871736

Color: alabaster

Warranty [years]: 18



Sink

Finish	alabaster
Surface type	matte
Material	granite
Installation method	under mounted, inset
Minimum cabinet width [mm]	700
Width [mm]	520
Length [mm]	600
Height [mm]	229
Bowl depth [mm]	200
2nd bowl depth [mm]	200
Cut-out length [mm]	580
Cut-out width [mm]	500
Reversible	Yes
Equipped with accessories	Yes
Number of holes	1
Number of pre-drilled holes	4
Additional features	drain cover included

Sink waste kit

Finish	steel
Plug type	automatic, with a button
Low siphon/ space saver	Yes
Possibility to connect a dishwasher/ washing machine	Yes

Features:

- Harmonious design
- Deep bowl
- Chopping board included
- Under-mounting possible
- Granite drain cover
- Automatic CLICK plug
- Properties of Deante granite: resistance to impact, high temperature, discoloration, thermal shock
- Hydrophobic properties repel water molecules
- Space-saving siphon which facilitates e.g. sorting waste
- Strainer uniformly dyed in mass
- The finish enriched with silver ions adds antiseptic properties
- Only the best materials, the quality of which has been confirmed by laboratory tests
- Dedicated cleaning agent, safe for cleaned surfaces