

# SABOR

## Ceramic sink, 1-bowl

Product code: ZCB\_3103

EAN: 5907650877974

Color: grey matte

Warranty [years]: 2



### Sink

|                            |                      |
|----------------------------|----------------------|
| Finish                     | grey                 |
| Surface type               | matte                |
| Material                   | ceramic              |
| Installation method        | inset, under mounted |
| Number of bowls            | 1                    |
| Minimum cabinet width [mm] | 500                  |
| Width [mm]                 | 475                  |
| Length [mm]                | 450                  |
| Height [mm]                | 215                  |
| Bowl depth [mm]            | 180                  |
| Cut-out length [mm]        | 430                  |
| Cut-out width [mm]         | 455                  |
| Equipped with accessories  | Yes                  |

### Sink waste kit

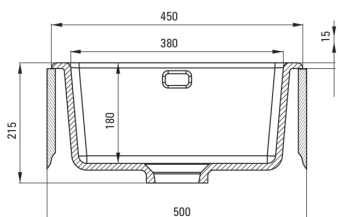
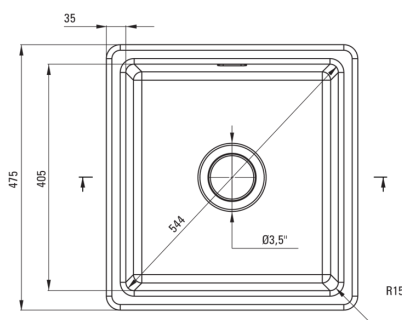
|   |        |
|---|--------|
| Finish  | steel  |
| Plug type   | manual |
| Low siphon/ space saver                                 | Yes    |
| Possibility to connect a dishwasher/<br>washing machine | Yes    |

### Features:

- ATTENTION! Before cutting a hole in the tabletop to install the sink, take into account the actual dimensions of the model you purchased.
- The sink is equipped with fittings with a connection to the dishwasher
- Hard and durable ceramics does not lose its properties with long use
- Dedicated cleaning agent, safe for cleaned surfaces
- Space-saving siphon which facilitates e.g. sorting waste

UWAGA! Przed wycięciem otworu w blacie, w celu montażu zlewozmywaka, uwzględnij wymiary rzeczywiste zakupionego modelu.

ATTENTION! Before cutting a hole in the tabletop to install the sink, take into account the actual dimensions of the model you purchased.



Tolerancja wymiarów  $\pm 5\%$  dla wartości do 200 mm i  $\pm 3\%$  dla wartości powyżej 200 mm  
All dimensions in mm tolerance  $\pm 5\%$  for below 200 mm and  $\pm 3\%$  for above 200 mm