

ARNIKA

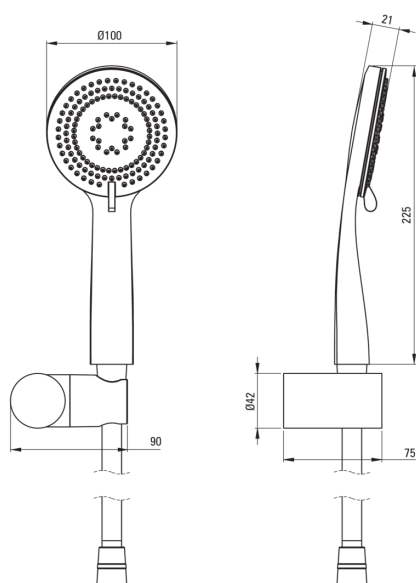
Shower set, with fixed bracket

Product code: NQA_Z41K

EAN: 5907650816829

Color: gold

Warranty [years]: 2



Shower set

Finish	gold
Point holder	Yes

Hose

Length [mm]	1500
Braid type	not applicable
Braid material	PVC
Anti-twist	1

Hand shower

Number of functions	3
Anti-calc	Yes
Stream type	rain, mixed, hydromassage

Hand shower holder

Installation	wall-mounted
Hand shower angle adjustment	Yes

Features:

- Design full of beauty and harmony
- Anti-twist system, preventing the hose from twisting
- The variety of colours gives many arrangement possibilities
- The hand shower with Anti-calc system facilitates the removal of limescale
- 3-function hand shower
- Adjustable shower hand angle
- Only the best materials, the quality of which has been confirmed by laboratory tests
- Dedicated cleaning agent, safe for cleaned surfaces