

# ARNIKA

## Shower set, 3-function

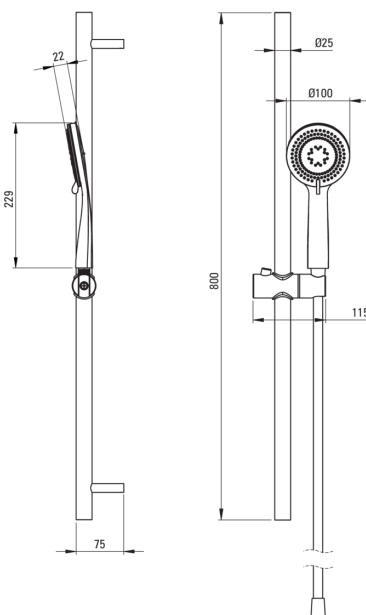


Product code: NQA\_N51K

EAN: 5907650823810

Color: nero

Warranty [years]: 5



### Shower set

Finish white, nero

Rod Yes

### Hose

Length [mm] 1500

Braid type not applicable

Braid material PVC

Anti-twist 1

### Hand shower

Number of functions 3

Anti-calc Yes

Stream type rain, mixed, hydromassage

### Rail

Material stainless steel

Additional features adjustable shower head angle

### Features:

- Design full of beauty and harmony
- The variety of colours gives many arrangement possibilities
- Adjustable shower hand angle
- The hand shower with Anti-calc system facilitates the removal of limescale
- 3-function hand shower
- Anti-twist system, preventing the hose from twisting
- Innovative, durable and easy to clean Nero coating
- Durable hose ends made of brass
- Dedicated cleaning agent, safe for cleaned surfaces
- Only the best materials, the quality of which has been confirmed by laboratory tests