

ARNIKA

Shower set, 3-function

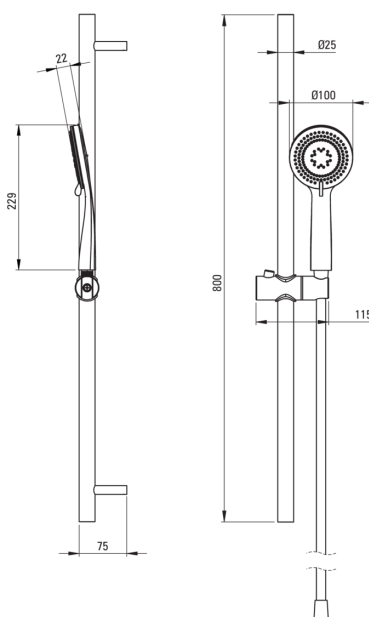


Product code: NQA_051K

EAN: 5907650823803

Color: chrome

Warranty [years]: 5



Shower set

Finish	chrome
Rod	Yes

Hose

Length [mm]	1500
Braid type	not applicable
Braid material	PVC
Anti-twist	1

Hand shower

Number of functions	3
Anti-calc	Yes
Stream type	rain, mixed, hydromassage

Rail

Material	stainless steel
Additional features	adjustable shower head angle

Features:

- Design full of beauty and harmony
- The variety of colours gives many arrangement possibilities
- Adjustable shower hand angle
- The hand shower with Anti-calc system facilitates the removal of limescale
- 3-function hand shower
- Anti-twist system, preventing the hose from twisting
- Durable hose ends made of brass
- Dedicated cleaning agent, safe for cleaned surfaces
- Only the best materials, the quality of which has been confirmed by laboratory tests