

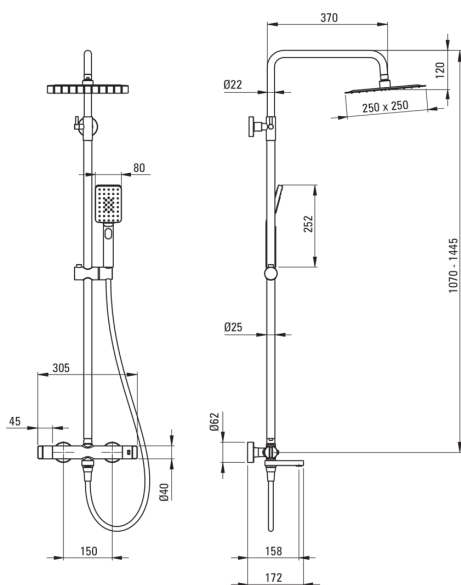
# Shower column, with bathtub mixer

Product code: NAC\_Z1HT

EAN: 5907650815044

Color: gold

Warranty [years]: 5



## Shower column

Finish	gold
Mixer	Yes
Rain head height adjustment	Yes
Bar height adjustment from [mm]	1070
Bar height adjustment up to [mm]	1445

## Rail

Material	steel 304
----------	-----------

## Shower overhead

Material	stainless steel
Width [mm]	250
Length [mm]	250
Anti-calc	Yes
Number of functions	1
Stream type	rain

## Hand shower

Anti-calc	Yes
-----------	-----

## Hose

Length [mm]	1500
Braid type	not applicable
Braid material	PVC
Anti-twist	1

## Spout

Spout type	foldable
Aerator	Yes

## Function switch

Switch type	ceramic mechanical
-------------	--------------------

## Mixer

Mixer type	single-handle, thermostatic
Check valves	Yes

## Features:

- Combination of functionality and aesthetics
- Ergonomic knobs
- Reinforced check valves compensate for pressure surges
- A movable spout that is also a function switch
- Movable silicone aerator
- 38°C temperature lock
- Top grade brass
- Ultra thin steel head
- Anti-calc system facilitating the removal of limescale deposits
- Shower hand angle adjustment
- Dedicated cleaning agent, safe for cleaned surfaces
- Only the best materials, the quality of which has been confirmed by laboratory tests
- The mixer body is made of the highest quality brass