

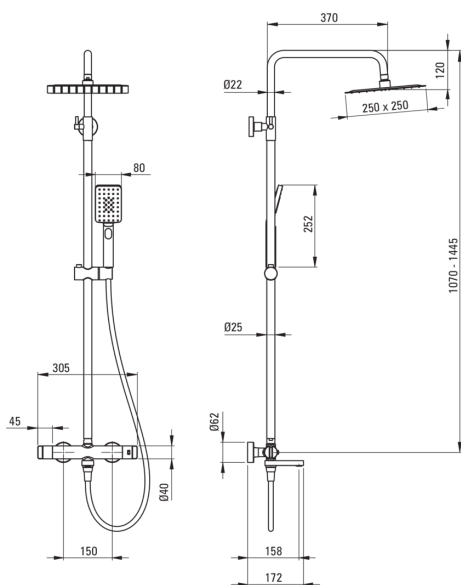
Shower column, with bathtub mixer

Product code: NAC_FIHT

EAN: 5907650835219

Color: brushed steel

Warranty [years]: 5



Shower column

Finish	steel
Mixer	Yes
Rain head height adjustment	Yes
Bar height adjustment from [mm]	1070
Bar height adjustment up to [mm]	1445

Rail

Material	steel 304
----------	-----------

Spout

Spout type	foldable
Aerator	Yes

Function switch

Switch type	ceramic mechanical
-------------	--------------------

Mixer

Mixer type	two-handle, thermostatic
Check valves	Yes

Features:

- Combination of functionality and aesthetics
- Ergonomic knobs
- Reinforced check valves compensate for pressure surges
- 38°C temperature lock
- Top grade brass
- Innovative and easy to maintain brushed steel coating
- Movable silicone aerator
- A movable spout that is also a function switch
- Ultra thin steel head
- Anti-calc system facilitating the removal of limescale deposits
- Shower hand angle adjustment
- Only the best materials, the quality of which has been confirmed by laboratory tests
- The offer includes a cleaning agent for fixtures in all colors