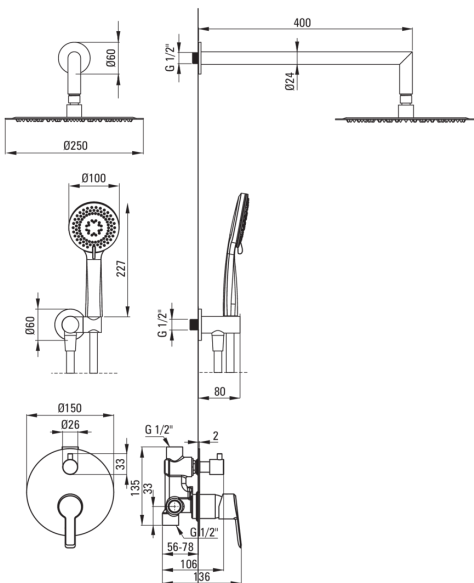


ARNIKA

Concealed shower set

Product code: NAC_09QP
EAN: 5908212084694
Color: chrome
Warranty [years]: 7



Mixer

Mixer type	single-handle, mixer
Installation method	concealed
Acoustic group [db]	I (x ≤ 20)

Spout

Spout type	still
Range of shower/ bath spout [mm]	325

Shower overhead

Shape	round
Material	steel 304
Thickness	55
Diameter [mm]	250
Anti-calc	Yes
Number of functions	1
Stream type	rain
Quick response time for turning the water on and off	Yes

Hand shower

Number of functions	3
Anti-calc	Yes
Stream type	rain, mixed, hydromassage

Hose

Length [mm]	1500
Braid type	not applicable
Braid material	PVC
Anti-twist	1

Angled hose connector

Finish	chrome
Connection type	for the hose with hand shower holder
Shape	round
Material	brass
Connection thread	Yes
Concealed mounting	Yes

Features:

- Only the best materials, the quality of which has been confirmed by laboratory tests
- Flush-mounted installation ensures the aesthetics of the bathroom
- The hand shower with Anti-calc system facilitates the removal of limescale
- Design full of beauty and harmony
- The variety of colours gives many arrangement possibilities
- Dedicated cleaning agent, safe for cleaned surfaces
- The mixer body is made of the highest quality brass