

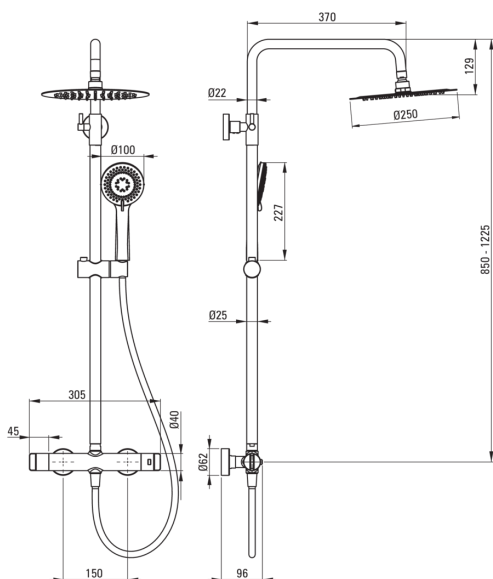
# Shower column, with shower mixer

**Product code:** NAC\_040T

**EAN:** 5907650858157

**Color:** chrome

**Warranty [years]:** 5



## Shower column

Finish	chrome
Mixer	Yes
Rain head height adjustment	Yes
Bar height adjustment from [mm]	850
Bar height adjustment up to [mm]	1225

## Rail

Material	steel 304
----------	-----------

## Shower overhead

Shape	round
Material	steel 304
Thickness	55
Diameter [mm]	250
Anti-calc	Yes
Number of functions	1
Stream type	rain
Quick response time for turning the water on and off	Yes

## Hand shower

Number of functions	3
Anti-calc	Yes
Stream type	rain, mixed, hydromassage

## Hose

Length [mm]	1500
Braid type	extensible, double braided
Braid material	stainless steel
Anti-twist	1

## Function switch

Switch type	ceramic mechanical
-------------	--------------------

## Mixer

Mixer type	two-handle, thermostatic
Check valves	Yes

## Features:

- Combination of functionality and aesthetics
- Ergonomic knobs
- Reinforced check valves compensate for pressure surges
- 38°C temperature lock
- Top grade brass
- Ultra thin steel head
- Adjustable rain shower height
- Steel bar
- Anti-calc system facilitating the removal of limescale deposits
- Anti-twist system, preventing the hose from twisting
- The offer includes a cleaning agent for fixtures in all colors