

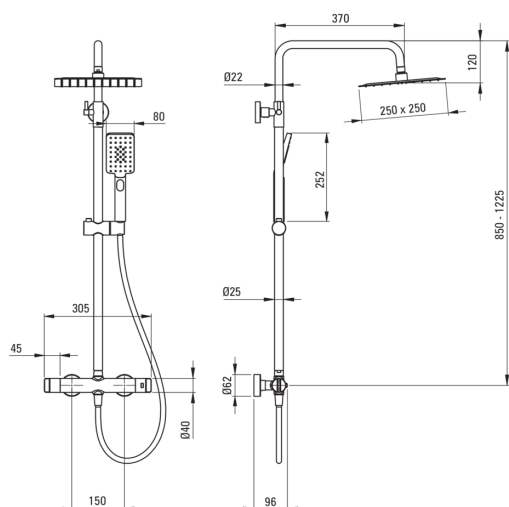
# Shower column, with shower mixer

Product code: NAC\_04HT

EAN: 5907650815068

Color: chrome

Warranty [years]: 5



## Shower column

Finish	chrome
Mixer	Yes
Rain head height adjustment	Yes
Bar height adjustment from [mm]	850
Bar height adjustment up to [mm]	1225

## Rail

Material	steel 304
----------	-----------

## Shower overhead

Shape	square
Material	steel 304
Width [mm]	250
Length [mm]	250
Thickness	55
Anti-calc	Yes
Number of functions	1
Stream type	rain
Quick response time for turning the water on and off	Yes

## Hand shower

Number of functions	3
Anti-calc	Yes
Stream type	rain, mist, mixed

## Hose

Length [mm]	1500
Braid type	not applicable
Braid material	PVC
Anti-twist	1

## Function switch

Switch type	ceramic mechanical
-------------	--------------------

## Mixer

Mixer type	two-handle, thermostatic
Check valves	Yes

## Features:

- Ergonomic knobs
- Reinforced check valves compensate for pressure surges
- 38°C temperature lock
- Top grade brass
- Ultra thin steel head
- Anti-calc system facilitating the removal of limescale deposits
- Anti-calc hand shower
- Shower hand angle adjustment
- Dedicated cleaning agent, safe for cleaned surfaces
- Only the best materials, the quality of which has been confirmed by laboratory tests
- The mixer body is made of the highest quality brass