

# ARNIKA

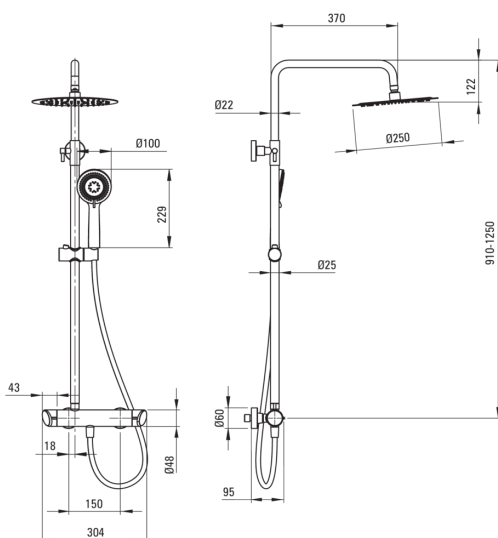
## Shower column, with shower mixer

**Product code:** NAC\_01QK

**EAN:** 5908212053201

**Color:** chrome

**Warranty [years]:** 5



### Shower column

Finish	chrome
Mixer	Yes
Rain head height adjustment	Yes
Bar height adjustment from [mm]	825
Bar height adjustment up to [mm]	1210

### Rail

Material	steel 304
Additional features	adjustable shower head angle

### Shower overhead

Shape	round
Material	steel 304
Thickness	55
Diameter [mm]	250
Anti-calc	Yes
Number of functions	1
Stream type	rain
Quick response time for turning the water on and off	Yes

### Hand shower

Number of functions	3
Anti-calc	Yes
Stream type	rain, mixed, hydromassage

### Hose

Length [mm]	1500
Braid type	not applicable
Braid material	PVC
Anti-twist	1

### Mixer

Mixer type	mixer, two-handle
Check valves	Yes

### Features:

- Steel bar
- Only the best materials, the quality of which has been confirmed by laboratory tests
- The mixer is equipped with non-return valves so that the mixed water does not flow back into the installation
- Design full of beauty and harmony
- The variety of colours gives many arrangement possibilities
- Anti-calc system facilitating the removal of limescale deposits
- Adjustable rain shower height
- The mixer body is made of the highest quality brass
- Dedicated cleaning agent, safe for cleaned surfaces