

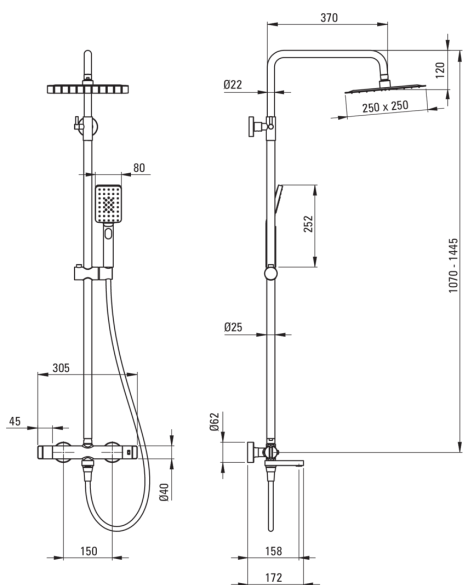
# Shower column, with bathtub mixer

**Product code:** NAC\_01HT

**EAN:** 5907650815020

**Color:** chrome

**Warranty [years]:** 5



## Shower column

Finish	chrome
Mixer	Yes
Rain head height adjustment	Yes
Bar height adjustment from [mm]	1070
Bar height adjustment up to [mm]	1445

## Rail

Material	steel 304
----------	-----------

## Shower overhead

Shape	square
Material	steel 304
Width [mm]	250
Length [mm]	250
Thickness	55
Anti-calc	Yes
Number of functions	1
Stream type	rain
Quick response time for turning the water on and off	Yes

## Hand shower

Number of functions	3
Anti-calc	Yes
Stream type	rain, mist, mixed

## Hose

Length [mm]	1500
Braid type	not applicable
Braid material	PVC
Anti-twist	1

## Spout

Spout type	foldable
Aerator	Yes

## Function switch

Switch type	ceramic mechanical
-------------	--------------------

## Mixer

Mixer type	two-handle, thermostatic
Check valves	Yes