

# FUNKIA

## Shower cabin, half round

**Product code:** KYP\_451K

**EAN:** 5908212066676

**Color:** chrome

**Warranty [years]:** 2

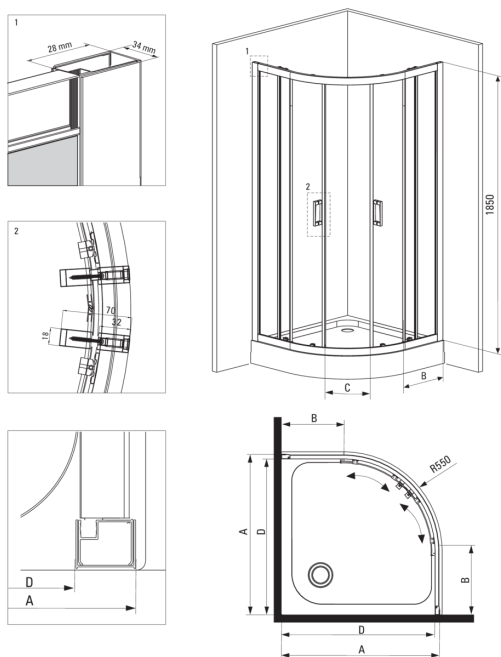


### Showe cabin

|                      |            |
|----------------------|------------|
| Shape                | half round |
| Width [mm]           | 900        |
| Length [mm]          | 900        |
| Height [mm]          | 1850       |
| Glass thickness [mm] | 5          |
| Glass finish         | graphite   |

### Features:

- Only the best materials, the quality of which has been confirmed by laboratory tests
- Safe and durable tempered glass
- Bottom rollers allow for the door detachment and easier product care
- Covering of assembly elements
- Possibility to install the cabin without a shower tray, directly on the tiles
- Profiles leveling the curvature of the walls
- Resistance to impacts, chemicals and stains in accordance with PN-EN 14428+A1:2008 norm, confirmed by tests of the Institute of Ceramics and Building Materials
- Enclosure sold without the tray



| Model    | Size    | A (mm)  | B (mm) | C (mm) | D (mm) |
|----------|---------|---------|--------|--------|--------|
| KYP X52K | 800x800 | 785-795 | 278    | 435    | 755    |
| KYP X51K | 900x900 | 885-895 | 348    | 520    | 855    |