

PLUS II

Acrylic shower tray, half round

Product code: KTU_031B

EAN: 5908212064238

Color: white

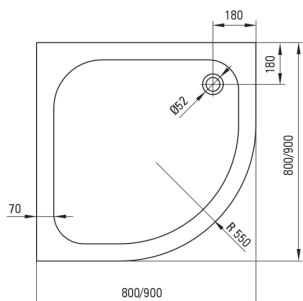
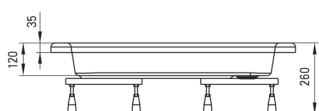
Warranty [years]: 2

Shower tray

| | |
|-------------|------------|
| Material | acrylic |
| Shape | half round |
| Width [mm] | 900 |
| Length [mm] | 900 |
| Height [mm] | 120 |

Features:

- Important! The shower tray is sold without a cover. The KTD_0310 cover fits the shower tray
- Durable acrylic material that maintains its shine and color
- Metal frame with adjustable feet included
- Attention: waste trap NHC_025C or half-siphon NHC_620K and CLICK-CLACK plug can be used with the shower tray
- Dedicated cleaning agent, safe for cleaned surfaces
- Only the best materials, the quality of which has been confirmed by laboratory tests



Tolerancja wymiarów $\pm 5\%$ dla wartości do 200 mm i $\pm 3\%$ dla wartości powyżej 200 mm
All dimensions in mm tolerance $\pm 5\%$ for below 200 mm and $\pm 3\%$ for above 200 mm