

# KERRIA PLUS

## Shower wall / walk-in, Kerria Plus system

Product code: KTS\_N84P

EAN: 5907650821335

Color: nero

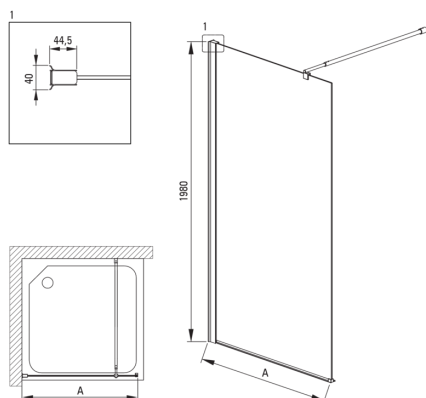
Warranty [years]: 2

### Showe cabin

Width [mm]	400
Height [mm]	2000
Glass thickness [mm]	6
Glass finish	transparent
Active cover	Yes

### Features:

- TOTALWHITE transparent glass
- Safe and durable tempered glass
- Active Cover coating
- Covering of assembly elements
- Possibility to install the cabin without a shower tray, directly on the tiles
- Dedicated to Active Cover surfaces
- Dedicated cleaning agent, safe for cleaned surfaces
- The profile system makes it possible to reduce the curvature of the walls
- Hydrophobic Active-Cover coating that makes it easier for water to run off the glass
- Only the best materials, the quality of which has been confirmed by laboratory tests
- Profiles leveling the curvature of the walls
- The railings give the structure rigidity
- Resistance to impacts, chemicals and stains in accordance with PN-EN 14428+A1:2008 norm, confirmed by tests of the Institute of Ceramics and Building Materials



Model	Size [mm]	A [mm]
KTS_X83P	300x1980	250-270
KTS_X84P	400x1980	350-370
KTS_X85P	500x1980	450-470
KTS_X86P	600x1980	550-570
KTS_X37P	700x1980	650-670
KTS_X38P	800x1980	750-770
KTS_X39P	900x1980	850-870
KTS_X30P	1000x1980	950-970
KTS_X31P	1100x1980	1050-1070
KTS_X32P	1200x1980	1150-1170
KTS_X34P	1400x1980	1350-1370