

Product code: KTSPN15P

EAN: 5907650835660

Color: nero

Warranty [years]: 2

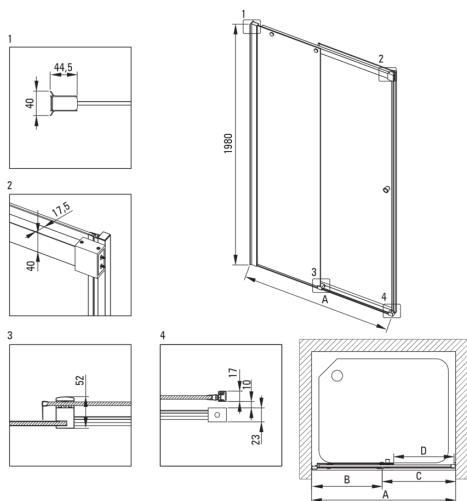


Shower door

| | |
|----------------------|----------------------------------|
| Width [mm] | 1500 |
| Height [mm] | 2000 |
| Glass thickness [mm] | 6 |
| Glass finish | transparent |
| installation | to be completed with KTS walk-in |
| Active cover | Yes |

Features:

- Safe and durable tempered glass
- Hydrophobic Active-Cover coating that makes it easier for water to run off the glass
- Dedicated to Active Cover surfaces
- TOTALWHITE transparent glass
- Reversible door that allows the cabin to be mounted on the right or left side
- Covering of assembly elements
- Profiles leveling the curvature of the walls
- Hinges in the plane of the glass
- Modern handles with rubber protection
- Only the best materials, the quality of which has been confirmed by laboratory tests
- Dedicated cleaning agent, safe for cleaned surfaces
- Precise door closing through lifting hinges
- Resistance to impacts, chemicals and stains in accordance with PN-EN 14428+A1:2008 norm, confirmed by tests of the Institute of Ceramics and Building Materials



| Model | Size [mm] | A [mm] | B [mm] | C [mm] | D [mm] | A+XKC00PX02 [mm] | A+KTS_X22X [mm] |
|----------|-----------|-----------|-----------|--------|--------|------------------|-----------------|
| KTSPX10P | 1000x2000 | 985-1010 | 480-495 | 505 | 390 | 1020-1060 | 1000-1030 |
| KTSPX11P | 1100x2000 | 1085-1110 | 530-545 | 555 | 440 | 1120-1160 | 1100-1130 |
| KTSPX12P | 1200x2000 | 1185-1210 | 580-595 | 605 | 490 | 1220-1260 | 1200-1230 |
| KTSPX13P | 1300x2000 | 1285-1310 | 630-645 | 655 | 540 | 1320-1360 | 1300-1330 |
| KTSPX14P | 1400x2000 | 1385-1410 | 680-695 | 705 | 590 | 1420-1460 | 1400-1430 |
| KTSPX15P | 1500x2000 | 1485-1510 | 730-745 | 755 | 640 | 1520-1560 | 1500-1530 |
| KTSPX16P | 1600x2000 | 1585-1610 | 830-845 | 755 | 640 | 1620-1660 | 1600-1630 |
| KTSPX17P | 1700x2000 | 1685-1710 | 930-945 | 755 | 640 | 1720-1760 | 1700-1730 |
| KTSPX18P | 1800x2000 | 1785-1810 | 1030-1045 | 755 | 640 | 1820-1860 | 1800-1830 |