

# CYNIA

## Shower wall, side

Product code: KTC\_032S

EAN: 5908212029053

Color: chrome

Warranty [years]: 2

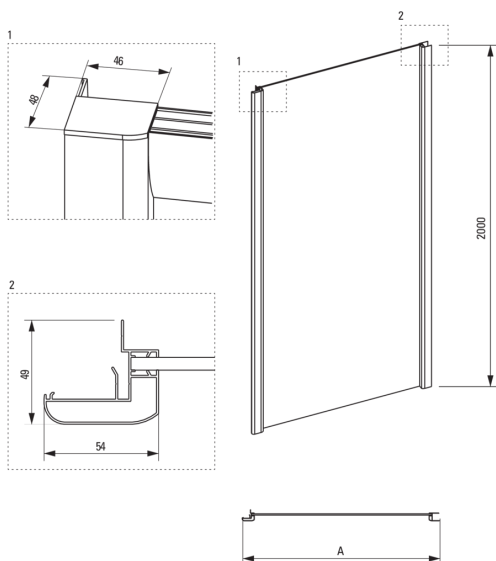


### Shower door

Width [mm]	800
Height [mm]	2000
Glass thickness [mm]	6
Glass finish	transparent
Active cover	Yes

### Features:

- Only the best materials, the quality of which has been confirmed by laboratory tests
- Hydrophobic Active-Cover coating that makes it easier for water to run off the glass
- Covering of assembly elements
- Dedicated to Active Cover surfaces
- Safe and durable tempered glass
- Possibility to install the cabin without a shower tray, directly on the tiles
- Profiles leveling the curvature of the walls
- Resistance to impacts, chemicals and stains in accordance with PN-EN 14428+A1:2008 norm, confirmed by tests of the Institute of Ceramics and Building Materials
- Dedicated cleaning agent, safe for cleaned surfaces



Model	Size	A(mm)
KTC 031S	900x2000	885-900
KTC 032S	800x2000	785-800