

ABELIA

Shower cabin, half round

Product code: KTA_052P

EAN: 5908212069998

Color: chrome

Warranty [years]: 2

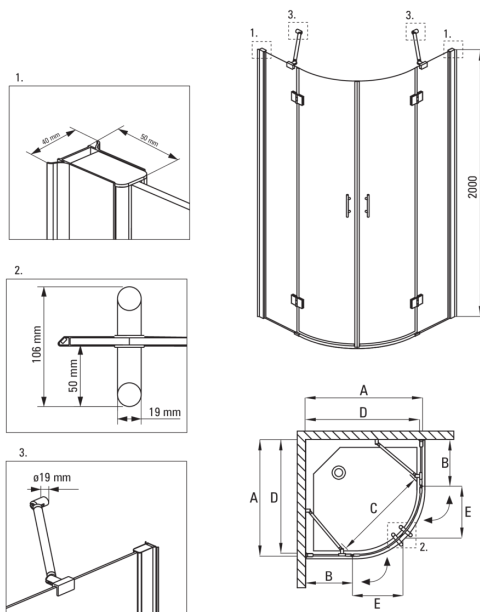


Showe cabin

Shape	half round
Width [mm]	800
Length [mm]	800
Height [mm]	2000
Glass thickness [mm]	6
Glass finish	transparent
Active cover	Yes

Features:

- Only the best materials, the quality of which has been confirmed by laboratory tests
- Safe and durable tempered glass
- Water drainage system inside the cabin
- Dedicated to Active Cover surfaces
- The profile system makes it possible to reduce the curvature of the walls
- Covering of assembly elements
- Precise door closing through lifting hinges
- Possibility to mount the bar to a perpendicular wall (bracket included)
- Possibility to install the cabin without a shower tray, directly on the tiles
- Hydrophobic Active-Cover coating that makes it easier for water to run off the glass
- Dedicated cleaning agent, safe for cleaned surfaces



ABELIA

Model	Size	A (mm)	B (mm)	C (mm)	D (mm)	E (mm)
KTA 051P	1000x1000	985-1000	450	720	965	385
KTA 052P	800x800	785-800	250	720	765	385
KTA 053P	900x900	885-900	350	720	865	385