

ABELIA

Shower cabin, walk-in

Product code: KTA_039P

EAN: 5908212070437

Color: chrome

Warranty [years]: 2

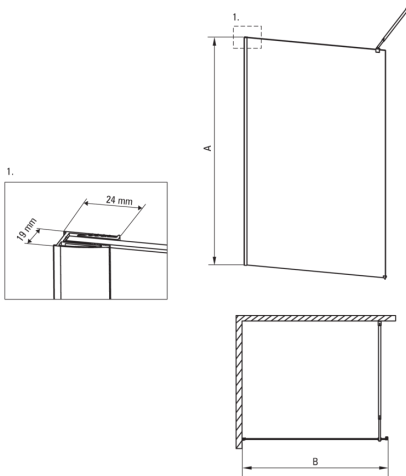


Showe cabin

| | |
|----------------------|-------------|
| Width [mm] | 900 |
| Height [mm] | 2000 |
| Glass thickness [mm] | 8 |
| Glass finish | transparent |
| Active cover | Yes |

Features:

- Possibility to install the cabin without a shower tray, directly on the tiles
- Possibility to mount the bar to a perpendicular wall (bracket included)
- Safe and durable tempered glass
- Hydrophobic Active-Cover coating that makes it easier for water to run off the glass
- Dedicated cleaning agent, safe for cleaned surfaces
- Dedicated to Active Cover surfaces
- Covering of assembly elements
- Only the best materials, the quality of which has been confirmed by laboratory tests
- The railings give the structure rigidity
- Resistance to impacts, chemicals and stains in accordance with PN-EN 14428+A1:2008 norm, confirmed by tests of the Institute of Ceramics and Building Materials



ABELIA

| Model | Size | A (mm) | B (mm) |
|----------|-----------|--------|--------|
| KTA X30P | 1000X2000 | 2000 | 1000 |
| KTA X31P | 1200X2000 | 2000 | 1200 |
| KTA X32P | 1100X2000 | 2000 | 1100 |
| KTA X34P | 1400X2000 | 2000 | 1400 |
| KTA X39P | 900X2000 | 2000 | 900 |