

# KERRIA PLUS

## Shower cabin, square

**Product code:** KKN0X08S08

**EAN:** 5907650884422

**Color:** chrome

**Warranty [years]:** 2

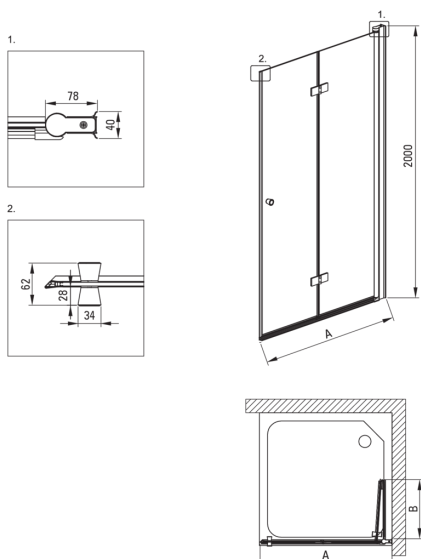


### Showe cabin

Shape	square
Width [mm]	800
Length [mm]	800
Height [mm]	2000
Glass thickness [mm]	6
Glass finish	transparent
Active cover	Yes

### Features:

- Active Cover coating
- Dedicated to Active Cover surfaces
- Profiles leveling the curvature of the walls
- Safe and durable tempered glass
- TOTALWHITE transparent glass
- Resistance to impacts, chemicals and stains in accordance with PN-EN 14428+A1:2008 norm, confirmed by tests of the Institute of Ceramics and Building Materials
- Possibility to install the cabin without a shower tray, directly on the tiles
- Only the best materials, the quality of which has been confirmed by laboratory tests
- Dedicated cleaning agent, safe for cleaned surfaces



Model	Size [mm]	A [mm]	B [mm]
KTSx47P	700x2000	670-685	285
KTSx42P	800x2000	770-785	335
KTSx41P	900x2000	870-885	385
KTSx43P	1000x2000	970-985	435