

KERRIA PLUS

Shower cabin, rectangular

Product code: KKN0P10S08

EAN: 5907650885429

Color: chrome

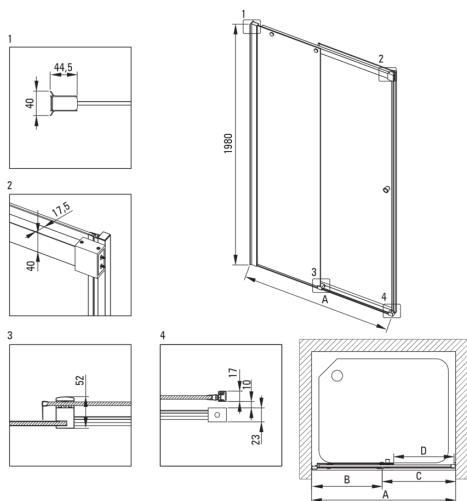
Warranty [years]: 2

Showe cabin

Shape	rectangular
Width [mm]	800
Length [mm]	1000
Height [mm]	1980
Glass thickness [mm]	6
Glass finish	transparent
Active cover	Yes

Features:

- Hydrophobic Active-Cover coating that makes it easier for water to run off the glass
- Covering of assembly elements
- TOTALWHITE transparent glass
- Profiles leveling the curvature of the walls
- Safe and durable tempered glass
- Dedicated to Active Cover surfaces
- Only the best materials, the quality of which has been confirmed by laboratory tests
- Resistance to impacts, chemicals and stains in accordance with PN-EN 14428+A1:2008 norm, confirmed by tests of the Institute of Ceramics and Building Materials
- Dedicated cleaning agent, safe for cleaned surfaces



Model	Size [mm]	A [mm]	B [mm]	C [mm]	D [mm]	A+XKC00PX02 [mm]	A+KTS_X22X [mm]
KTSPX10P	1000x2000	985-1010	480-495	505	390	1020-1060	1000-1030
KTSPX11P	1100x2000	1085-1110	530-545	555	440	1120-1160	1100-1130
KTSPX12P	1200x2000	1185-1210	580-595	605	490	1220-1260	1200-1230
KTSPX13P	1300x2000	1285-1310	630-645	655	540	1320-1360	1300-1330
KTSPX14P	1400x2000	1385-1410	680-695	705	590	1420-1460	1400-1430
KTSPX15P	1500x2000	1485-1510	730-745	755	640	1520-1560	1500-1530
KTSPX16P	1600x2000	1585-1610	830-845	755	640	1620-1660	1600-1630
KTSPX17P	1700x2000	1685-1710	930-945	755	640	1720-1760	1700-1730
KTSPX18P	1800x2000	1785-1810	1030-1045	755	640	1820-1860	1800-1830