

# ALPINIA

## Shower cabin, half round

**Product code:** KGA\_052P

**EAN:** 5908212070079

**Color:** chrome

**Warranty [years]:** 2

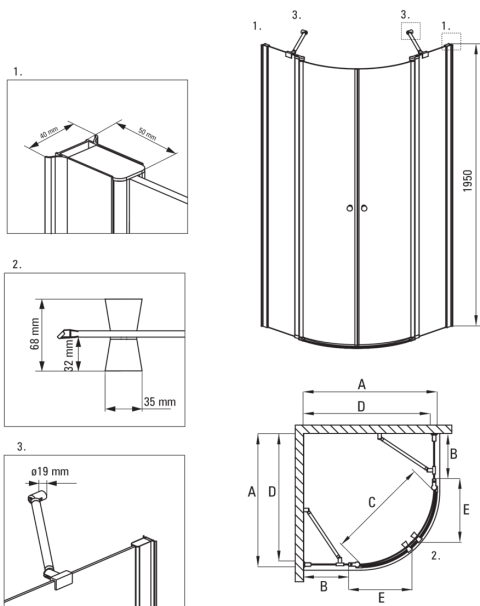


### Showe cabin

Shape	half round
Width [mm]	800
Length [mm]	800
Height [mm]	1950
Glass thickness [mm]	6
Glass finish	transparent
Active cover	Yes

### Features:

- Only the best materials, the quality of which has been confirmed by laboratory tests
- Safe and durable tempered glass
- Water drainage system inside the cabin
- Dedicated to Active Cover surfaces
- The profile system makes it possible to reduce the curvature of the walls
- Covering of assembly elements
- Precise door closing through lifting hinges
- Possibility to mount the bar to a perpendicular wall (bracket included)
- Possibility to install the cabin without a shower tray, directly on the tiles
- Profiles leveling the curvature of the walls
- Hydrophobic Active-Cover coating that makes it easier for water to run off the glass
- Dedicated cleaning agent, safe for cleaned surfaces



ALPINIA

Model	Size	A (mm)	B (mm)	C (mm)	D (mm)	E (mm)
KGA 051P	900x900	885-900	297	685	860	420
KGA 052P	800x800	785-800	197	685	760	420