

PEONIA

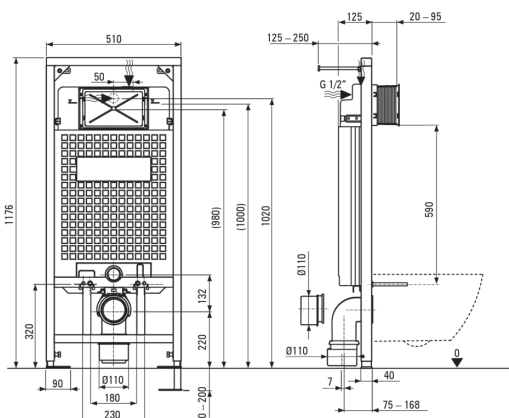
Toilet set, concealed

Product code: CDETDZPW

EAN: 5907650821380

Color: anthracite, titanium

Warranty [years]: 10



Concealed toilet frame

Frame height adjustment [mm]	200
Tank capacity [l]	9
Double flushing [i]	3/6
Designated for light casing	Yes
Designated for installation in front of the load-bearing wall	Yes
Connection valve g1/2"	Yes
Silent flushing and filling	Yes
Mounting bolts spacing 180 mm and 230 mm	Yes

Toilet bowl

Finish	anthracite, titanium
Type	wall-mounted
Rim type	rimless
Hidden mountings	Yes

Toilet seat

Slow-close toilet seat	Yes
Slim toilet seat	Yes
Chrome hinges	Yes
Quick seat detachment	Yes
Antibacterial	Yes

Flush button

Finish	titanium
Surface type	matte
Button type	duple

Features:

- Innovative concealed frame
- Dual button, allowing adjustment of the amount of water used for flushing
- Hard and durable ceramics does not lose its properties with long use
- Antibacterial coating, preventing the growth of microorganisms
- Rimless bowl for easy cleaning and hygiene
- Soft-closing toilet seat
- Mounting system with hidden fixings
- Hygienic certificate of the National Institute of Hygiene confirming the product's compliance with safety standards
- Dedicated cleaning agent, safe for cleaned surfaces