

SILIA

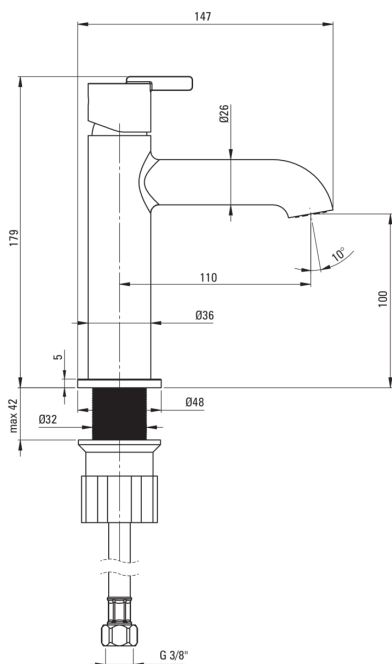
Washbasin tap

Product code: BQS_N20M

EAN: 5907650818083

Color: nero

Warranty [years]: 7



Mixer

Finish	nero
Material	brass
Mixer type	single-handle, mixer
Installation method	standing
Flow class [l/min]	Z - 4-9 l/min
Acoustic group [db]	I (x ≤ 20)

Mixer cartridge

Ceramic cartridge size	25 mm
------------------------	-------

Spout

Spout type	still
Mixer spout range [mm]	110
Material	brass

Aerator

Aerator type	swivel, flat
Aerator size	M18

Connecting hose

Length [mm]	450
Installation thread	3/8"
Connection thread	M10

Features:

- Noble form and timeless simplicity
- Only the best materials, the quality of which has been confirmed by laboratory tests
- Innovative, durable and easy to clean Nero coating
- The mixer is equipped with a stream aerator
- The mixer body is made of the highest quality brass
- The mounting sleeve facilitates the installation of the mixer
- The movable aerator allows you to direct the water stream
- 45 cm connection hoses included
- Z flow class (4-9 l/min) allowing for water consumption reduction
- The offer includes a cleaning agent for fixtures in all colors