

# SENSE

## Washbasin tap, contactless

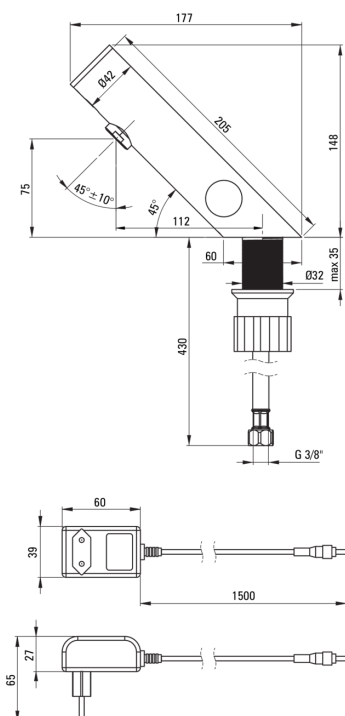


Product code: BQR\_P29V

EAN: 5907650881322

Color: polished steel

Warranty [years]: 7



### Aerator

Aerator type	silicone, swivel
Aerator size	M24

### Mixer

Installation method	standing
Mixer type	sensor

### Connecting hose

Length [mm]	450
Installation thread	1/2"
Connection thread	M8

### Spout

#### Features:

- Sensor Duopulse - a sensor that draws current impulsively
- Silicone aerator for easy limescale removal
- 45 cm connection hoses included
- The mounting sleeve facilitates the installation of the mixer
- Anti-vandal tap - resistant to damage
- Z flow class (4-9 l/min) allowing for water consumption reduction
- The sensor is located on the top of the body, free from dirt and accidental signals
- The mixer is manufactured in Poland, with the utmost care for product quality.
- The movable aerator allows you to direct the water stream
- The mixer is equipped with non-return valves so that the mixed water does not flow back into the installation
- The offer includes a cleaning agent for fixtures in all colors
- Only the best materials, the quality of which has been confirmed by laboratory tests