

SENSE

Washbasin tap, contactless

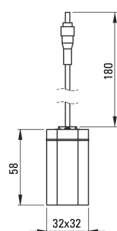
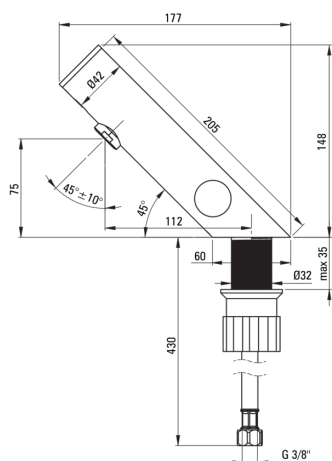


Product code: BQR_P29R

EAN: 5907650881315

Color: polished steel

Warranty [years]: 7



Aerator

Aerator type swivel, silicone

Aerator size M24

Mixer

Installation method standing

Mixer type sensor

Connecting hose

Length [mm] 450

Installation thread 1/2"

Connection thread M8

Spout

Features:

- Sensor Duopulse - a sensor that draws current impulsively
- Silicone aerator for easy limescale removal
- 45 cm connection hoses included
- The mounting sleeve facilitates the installation of the mixer
- Anti-vandal tap - resistant to damage
- Z flow class (4-9 l/min) allowing for water consumption reduction
- The sensor is located on the top of the body, free from dirt and accidental signals
- The mixer is manufactured in Poland, with the utmost care for product quality.
- The movable aerator allows you to direct the water stream
- The mixer is equipped with non-return valves so that the mixed water does not flow back into the installation
- Cleaning agent for fixtures in all colors available
- Only the best materials, the quality of which has been confirmed by laboratory tests