

SENSE

Washbasin tap, contactless

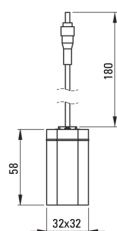
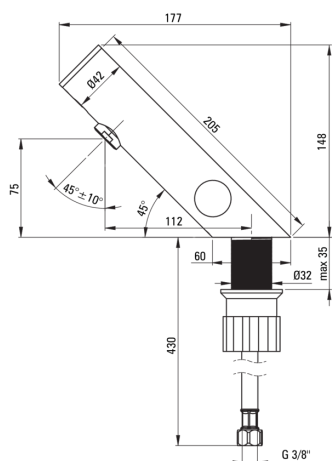


Product code: BQR_F29R

EAN: 5907650819707

Color: brushed steel

Warranty [years]: 7



Mixer

Finish	steel
Material	steel 304
Mixer type	sensor
Installation method	standing
Flow class [l/min]	Z - 4-9 l/min
Acoustic group [db]	I (x ≤ 20)
Check valves	Yes

Spout

Mixer spout range [mm]	112
------------------------	-----

Aerator

Aerator type	swivel, silicone
Aerator size	M24

Connecting hose

Length [mm]	450
Installation thread	1/2"
Connection thread	M8

Features:

- Sensor Duopulse - a sensor that draws current impulsively
- Silicone aerator for easy limescale removal
- 45 cm connection hoses included
- The mounting sleeve facilitates the installation of the mixer
- Anti-vandal tap - resistant to damage
- Z flow class (4-9 l/min) allowing for water consumption reduction
- Brushed steel, resistant to scratches and cleaning agents
- The sensor is located on the top of the body, free from dirt and accidental signals
- The mixer is manufactured in Poland, with the utmost care for product quality.
- The movable aerator allows you to direct the water stream
- Only the best materials, the quality of which has been confirmed by laboratory tests
- The mixer is equipped with a stream aerator
- The mixer is equipped with non-return valves so that the mixed water does not flow back into the installation
- The offer includes a cleaning agent for fixtures in all colors