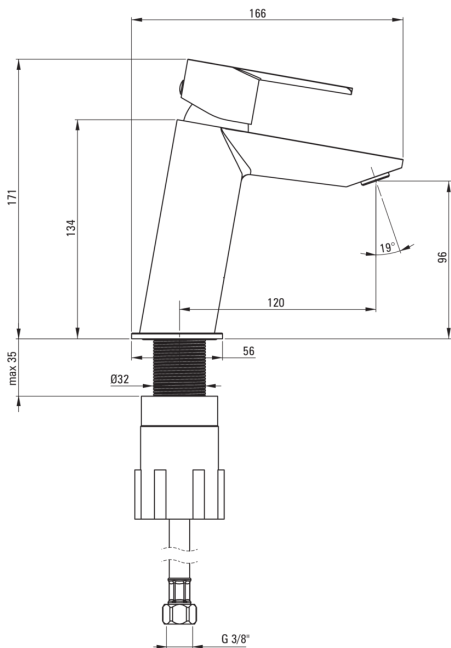


# AGAWA

## Washbasin tap

**Product code:** BQG\_020M  
**EAN:** 5907650873679  
**Color:** chrome  
**Warranty [years]:** 7



### Mixer

Finish	chrome
Material	brass
Mixer type	single-handle, mixer
Installation method	standing
Flow class [l/min]	Z - 4-9 l/min
Acoustic group [db]	I (x ≤ 20)

### Mixer cartridge

Ceramic cartridge size	35 mm
------------------------	-------

### Spout

Mixer spout range [mm]	120
Material	brass

### Aerator

Aerator type	honeycomb, swivel
Aerator size	M24

### Connecting hose

Length [mm]	450
Installation thread	3/8"
Connection thread	M10

### Features:

- The mixer body is made of the highest quality brass
- The mixer is equipped with a stream aerator
- The movable aerator allows you to direct the water stream
- The mounting sleeve facilitates the installation of the mixer
- 45 cm connection hoses included
- Z flow class (4-9 l/min) allowing for water consumption reduction
- Inclined body
- Installation with or without a base ring
- Only the best materials, the quality of which has been confirmed by laboratory tests
- The offer includes a cleaning agent for fixtures in all colors