

# ARNIKA

## Washbasin tap

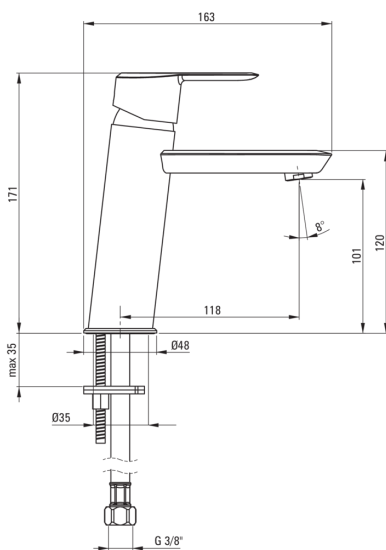


Product code: BQAE020M

EAN: 5907650827283

Color: chrome

Warranty [years]: 7



### Mixer

Finish	chrome
Material	brass
Mixer type	single-handle, mixer
Installation method	standing
Flow class [l/min]	Z - 4-9 l/min
Acoustic group [db]	I (x ≤ 20)

### Mixer cartridge

Ceramic cartridge size	35 mm
------------------------	-------

### Spout

Mixer spout range [mm]	118
Material	brass

### Aerator

Aerator type	restricting the flow
Water flow reduction	l

### Connecting hose

Length [mm]	450
Installation thread	3/8"
Connection thread	M10

### Features:

- Design full of beauty and harmony
- The variety of colours gives many arrangement possibilities
- The mixer body is made of the highest quality brass
- Z flow class (4-9 l/min) allowing for water consumption reduction
- The mixer is equipped with a stream aerator
- 45 cm connection hoses included
- The tap is equipped with an ECO-aerator that reduces water consumption to 4,5 l-min
- Only the best materials, the quality of which has been confirmed by laboratory tests
- we recommend buying a universal plug in the color of the mixer
- The offer includes a cleaning agent for fixtures in all colors