

# LUNO

## Kitchen tap, wall-mounted

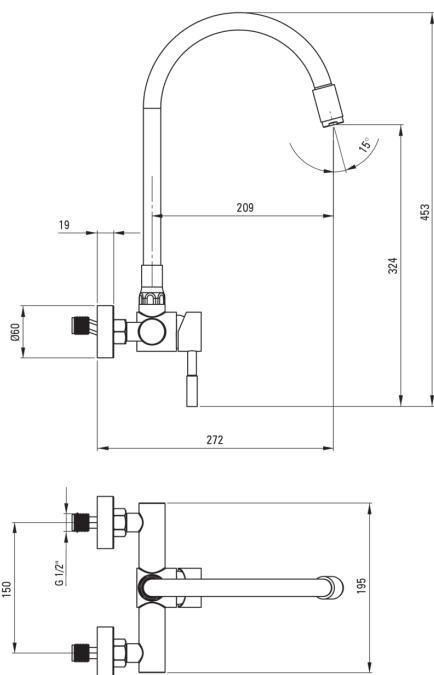


Product code: BOC\_N80M

EAN: 5907650864387

Color: nero

Warranty [years]: 2



### Mixer

|                     |                      |
|---------------------|----------------------|
| Finish              | nero                 |
| Material            | steel 304            |
| Mixer type          | single-handle, mixer |
| Installation method | wall-mounted         |
| Acoustic group [db] | I ( $x \leq 20$ )    |

### Mixer cartridge

|                        |       |
|------------------------|-------|
| Ceramic cartridge size | 35 mm |
|------------------------|-------|

### Spout

|            |         |
|------------|---------|
| Spout type | elastic |
|------------|---------|

### Aerator

|              |           |
|--------------|-----------|
| Aerator type | honeycomb |
| Aerator size | M24       |

### Features:

- Only the best materials, the quality of which has been confirmed by laboratory tests
- Dedicated cleaning agent, safe for cleaned surfaces
- The mixer is equipped with a stream aerator
- Innovative, durable and easy to clean Nero coating